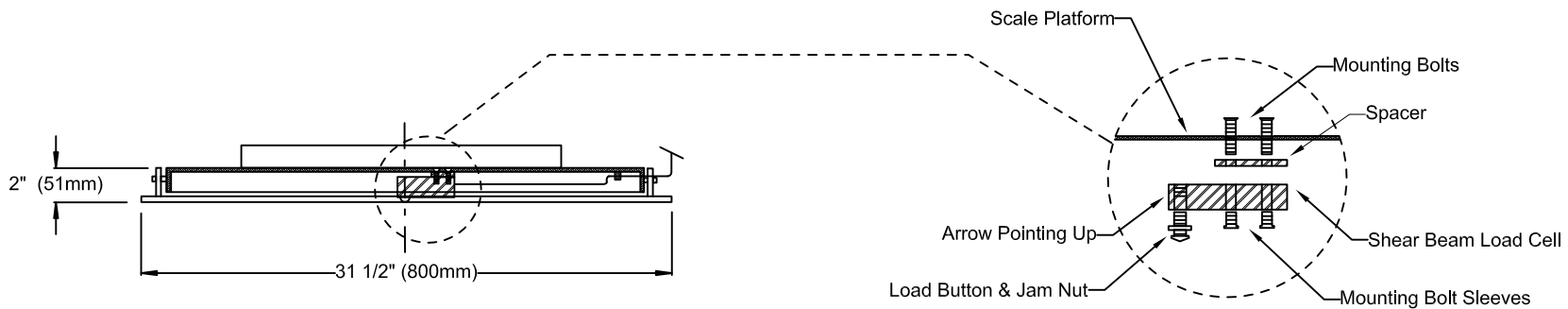


SOLO G2
Indicator

- _____ Platform Model
- _____ Capacity of Drum (and Diameter _____)
- _____ Feet of Cable (20' Std)
- _____ Indicator Model (Lbs. or Kgs. _____)

TOP VIEW



2430 Stanwell Dr, Concord, Ca 94520 USA
 1-800-893-6723 US & Canada, Fax: 925-686-6713
 WWW.forceflow.com / Info@forceflow.com

ELECTRONIC DRUM-SCALE
 with SOLO G2 INDICATOR

Drawn by: KBV
 Date: 3/04/09
 Verified: 2/23/16 JG
 Scale:

Drawing Number
31456