

Model	Length
ET5	5 feet (1525mm)
ET7	7 feet (2100mm)
ET9	9 feet (2750mm)

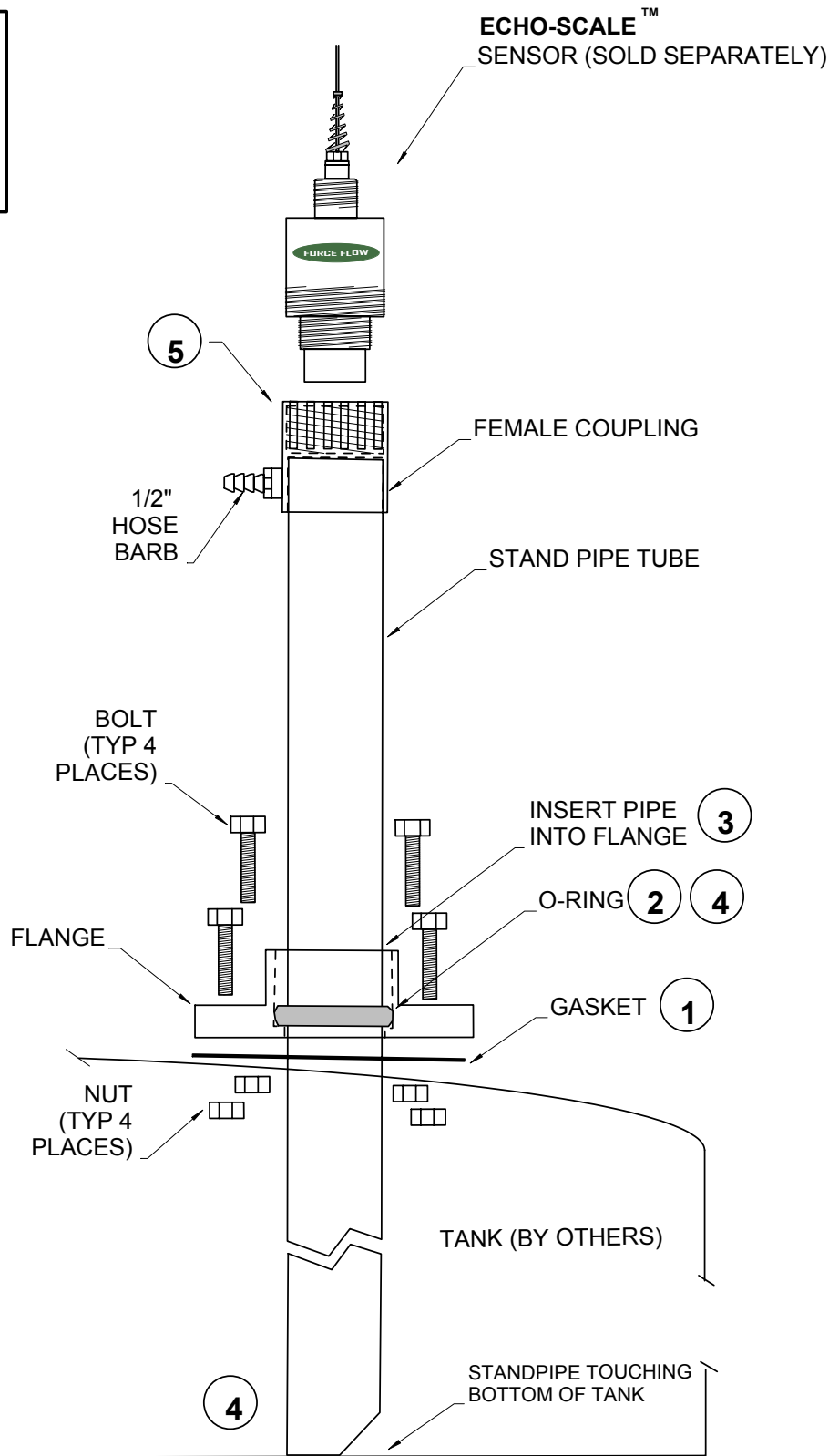
1 Install 2-1/2" Flange on the top of the tank. Use gasket, bolts and nuts furnished.

2 Slide O-Ring from the bottom of the stand pipe up to the female coupling.

3 Insert stand pipe into tank through the 2-1/2" Flange.

4 With stand pipe resting on the bottom of the tank, slide the O-Ring down until it seals between the flange and stand pipe.

5 Thread ECHO-SCALE Sensor into female coupling. Tighten by hand until snug. (Teflon tape recommended for ease of removal, if needed)



NOTE: ECHO-TUBE MUST REST ON BOTTOM OF TANK

S.1.106
W.1.106
WA.1.106



**ECHO-TUBE™
STANDPIPE KIT INSTALLATION**

Drawing Number

30160