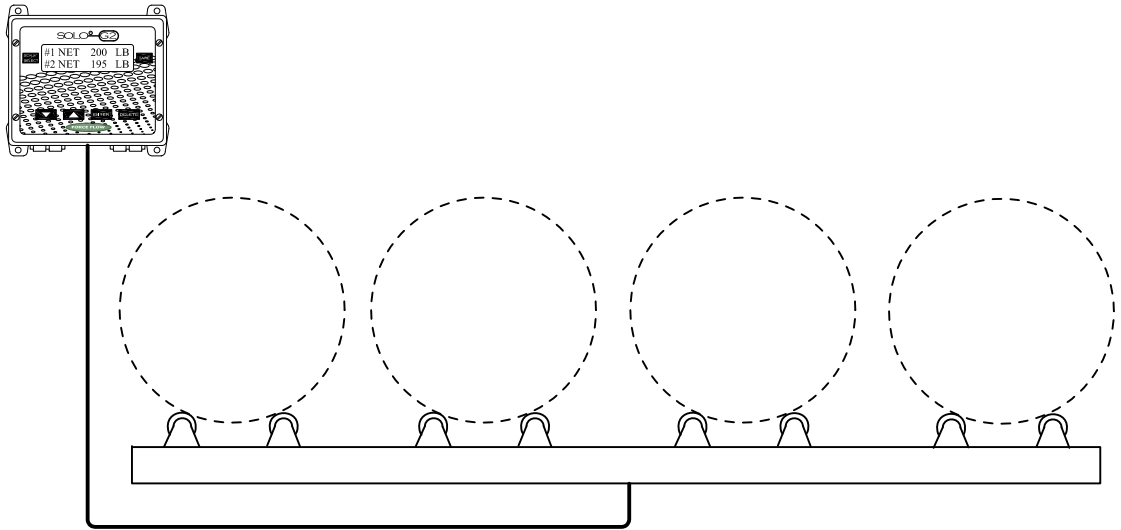
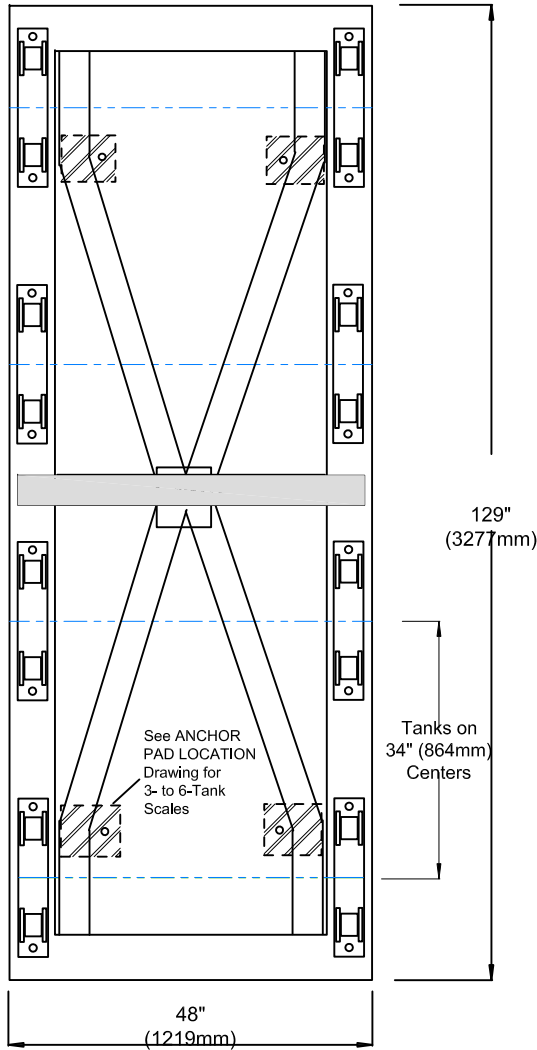


NOTE: Use 1/2" x 1-1/2" (13mm x 38mm) Anchor Bolts

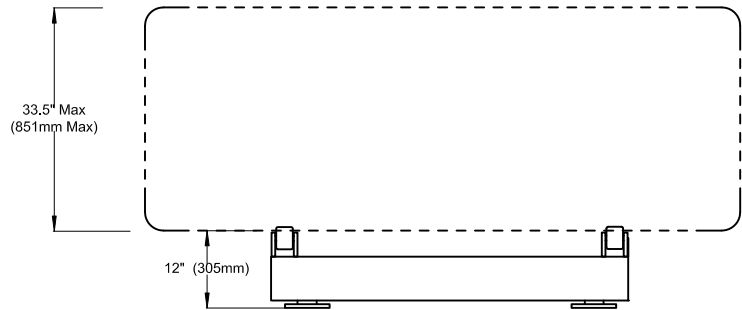
RECOMMENDATION: 12" (305mm) minimum pad be used for each foot. DO NOT PREPOUR ANCHOR BOLTS. Use frame as template to avoid binding.



\_\_\_\_\_ Model Number of Indicator (Lbs. or Kgs \_\_\_\_\_)  
 \_\_\_\_\_ Model Number of Frame  
 \_\_\_\_\_ Feet of Cable (20/6M Std)

**MODEL NUMBERS (for Frame & Load Cell)**  
 DR160 (16,000 lbs)  
 DR80K (8,000 lbs)

**MODEL NUMBER (for SOLO G2 Indicator)**  
 SRG2-1 (1-Channel)  
 SRG2-2 (2-Channel)



WEIGHT: 1,050 lbs/476 kgs  
 (palletized for shipment)



2430 Stanwell Dr, Concord, Ca 94520 USA  
 1-800-893-6723 US & Canada, Fax: 925-686-6713  
 WWW.forceflow.com / Info@forceflow.com

ELECTRONIC 4-TANK SCALE  
 CHLOR-SCALE  
 with SOLO G2 INDICATOR

Drawn by: KBV  
 Date: 3/03/09  
 Verified:  
 Scale:

Drawing Number  
**31448**